

# WeatherMaster® Ice & Water 200

## Granular Shingle Underlayment

### PRODUCT INFORMATION

WeatherMaster® Ice & Water 200 is a self-adhesive composite underlayment designed to provide a secondary layer of waterproofing protection needed to help prevent damage from ice dams and wind-blown rain. The adhesive layer is composed of a proprietary SBS-modified asphalt reinforced with a fiberglass mat.

The granule surface provides excellent traction and protection from UV degradation and weathering. The self-adhesive side is covered with a split-release sheet which is removed during installation.

This self-adhering modified-bitumen underlayment creates a watertight barrier by sealing to the deck and around nails to provide continuous protection year after year. WeatherMaster® Ice & Water helps protect the entire deck of a properly ventilated roof or just problem areas where water collects, or drainage is slow. And, since it can go under any roofing material from asphalt shingles to tile, you can enjoy maximum protection with the architectural look you want.

### TECHNICAL DATA

Property	Test Method	Minimum Value
Mil Thickness	ASTM D1970	40 mil
Thermal Stability SAG-200°F (93°C)	ASTM C1970	Pass
Peel Adhesion	ASTM C794	Pass
Pliability, 14°F (-10°C), 1/8 90° Bend	ASTM D146	0.019 g/hr/sq.m. (max)
Water Vapor Transmission	ASTM E96	Pass
ASTM D1970	All	Pass

### DIMENSIONS

Product	Roll (ft²)	Roll Size	Rolls Per Pallet
WeatherMaster® Ice & Water 200	195	36" x 65'	30

### CODES AND COMPLIANCES

Underwriters Laboratories Class A and Class C Fire Rating  
(based on roof covering)

ASTM D1970, Standard Ice Dam Underlayment

ICC-ES Report ER 1783

Florida Building Code Approved - FL 17322

Florida Building Code Approved - FL 38096

Miami-Dade County Product Control Approved



### FEATURES:

- SBS-modified asphalt coating helps seal around nails for a watertight result
- Self-adhesive backing seals directly to the deck
- Dual-modified asphalt provides superior granule adhesion
- Fiberglass mat is stronger and provides better tear resistance than saturated felt
- Aggressive bond
- Non-peel selvage edge
- High-temperature stability – 240°F
- UV protected surface – 45-day exposure

### BENEFITS:

- Provides secondary water barrier
- 2x more adhesion than industry standard
- Extra roofing protection for vulnerable areas. Use for valleys, eaves, flashings, hips, ridges, and rakes, and around dormers and skylights
- Can be used in new construction or in reroofing requiring a complete tear-off
- Provides extra protection under any type of roofing: asphalt shingles, tile, wood shake, or slate
- Helps extend the life of a roof system



Signature Select®  
System Eligible



## WEATHERMASTER® ICE & WATER 200

WeatherMaster® underlayments should be installed when ambient and substrate temperatures are 45° F (7.2° C) or higher. Priming wood or metal surfaces may be necessary for temperatures at 45° F. Remove all dirt, dust, loose nails, and debris prior to installing WeatherMaster® underlayments. Decking must be dry.

When WeatherMaster® underlayments are to be adhered to any metal surfaces, priming with asphalt primer meeting ASTM D41 is recommended. When applying WeatherMaster® underlayments, proper, code-approved roof assembly ventilation is required.

### GENERAL INSTRUCTIONS

#### For Roof Decks (Rakes and Eaves):

For proper adhesion, WeatherMaster® underlayments shall be applied to dry, dust/dirt/nail free surfaces during fair, dry weather when air temperatures and material is above 45° F (7.2° C). Rolls stored outside on cold nights may still be too cold for application, even at midday. For applications where the air, deck or material temperature is below 45° F, use nails to mechanically fasten until fully adhered. Deck surfaces may need to be primed prior to application.

WeatherMaster® rolls applied in temperatures below 45° F (7.2° C) will remain stiffer and will not fully seal until it is warmed by exposure to the sun. Metal flanges must be coated with asphalt primer prior to applying WeatherMaster® Underlayment.

Begin by cutting WeatherMaster® underlayment into 10 to 15-foot lengths and re-roll for wrinkle-free application. Apply sheet parallel to the roof edge, extending 1/4" to 3/4" over drip edge. Use the selvage edge to set horizontal top overlap at 3" so that laps will shed water, or if underlayment does not have a salvage edge install horizontal edge seems 3" minimum. For ice dam protection, underlayment must be applied to a point at least 24" beyond interior wall line or above the expected level of ice dams.

Peel back 1 to 2 feet of release paper. Before peeling further, align the sheet on the lower edge of the roof and adhere the areas you have peeled. Pull the release paper from under the sheet and slowly continue to peel, pressing the sheet into place as you go. Use a hand roller to firmly roll lower edges. End laps should be overlapped 6" and staggered. On slopes above 6:12 or for long exposure before primary roof covering is installed — face nail the top overlap at 6" on center only in black selvage edge and overlap areas.

#### For Valleys and Ridges:

Begin by cutting WeatherMaster® underlayment into 4- to 6-foot lengths. For ridges, peel the release paper back and center the sheet over the ridge. Working from the center of the ridge, press the sheet into place in both directions. For valleys, peel and apply the sheet starting at the lowest point and work upward. All end laps and horizontal top ends should be overlapped a minimum of 6".

#### For Flashing Tape:

When used as flashing tape, begin by cutting WeatherMaster® underlayment into 8- to 12-foot lengths. Center the tape over roof deck panel joints and roll into position.

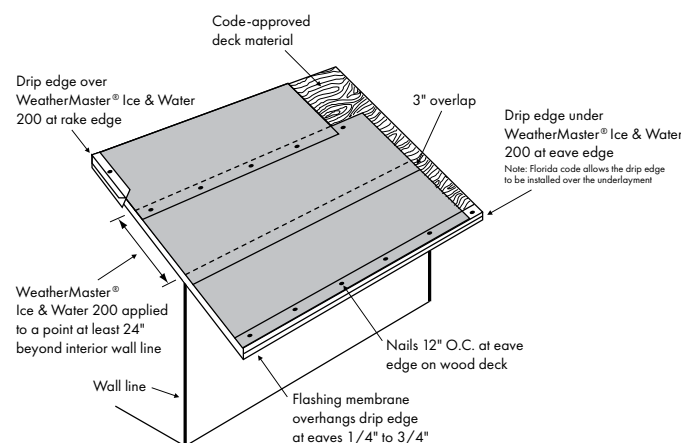
#### Safety, Storage and Handling:

Pallets of WeatherMaster® Ice & Water Underlayment should not be double stacked. Provide a weather cover on top and sides to allow proper ventilation. Consult the Material Safety Data Sheet for best available information on safe handling, storage, personal protection, health, and environmental considerations.

#### CAUTION

Learn and observe safe roofing practices according to OSHA and local building code requirements. Always use caution when walking on sloped roofdecks and WeatherMaster® Ice & Water underlayment. Do not walk on unsecured underlayment or any other loose roofing material lying on sloped roof decks. Dust, dew, water, or debris create unsafe conditions on the roof. The presence of any foreign matter may drastically change the coefficient of friction (traction) on WeatherMaster® Ice & Water or any other material on a sloped roof deck. Failure to use proper safety equipment and footwear can result in serious injury or even death.

#### WEATHERMASTER® ICE & WATER FIELD APPLICATION



### Sales Offices

**Ardmore, OK**  
Tel: (800) 270-2852

**Franklin, OH**  
Tel: (800) 260-2852

**Meridian, MS**  
Tel: (800) 933-2721

**Daingerfield, TX**  
Tel: (800) 270-2852

**Hampton, GA**  
Tel: (800) 251-2852

**Corporate Sales & Marketing**  
2000 RiverEdge Parkway, Suite 800  
Atlanta, Georgia 30328



Atlas offers homeowners increased coverage of their Premium Protection Period on any Atlas Signature Select® Roofing System. This product qualifies for use in the Atlas Signature Select® Roofing System when used in combination with other qualifying Atlas products. For more information, please visit: [AtlasRoofing.com/Pro](https://AtlasRoofing.com/Pro).

[AtlasRoofing.com](https://AtlasRoofing.com)

© Copyright 2023, Atlas Roofing Corporation ATL-236447-00 7/23

